

4

3

2

1

D

D

C

C

B

B

A

A

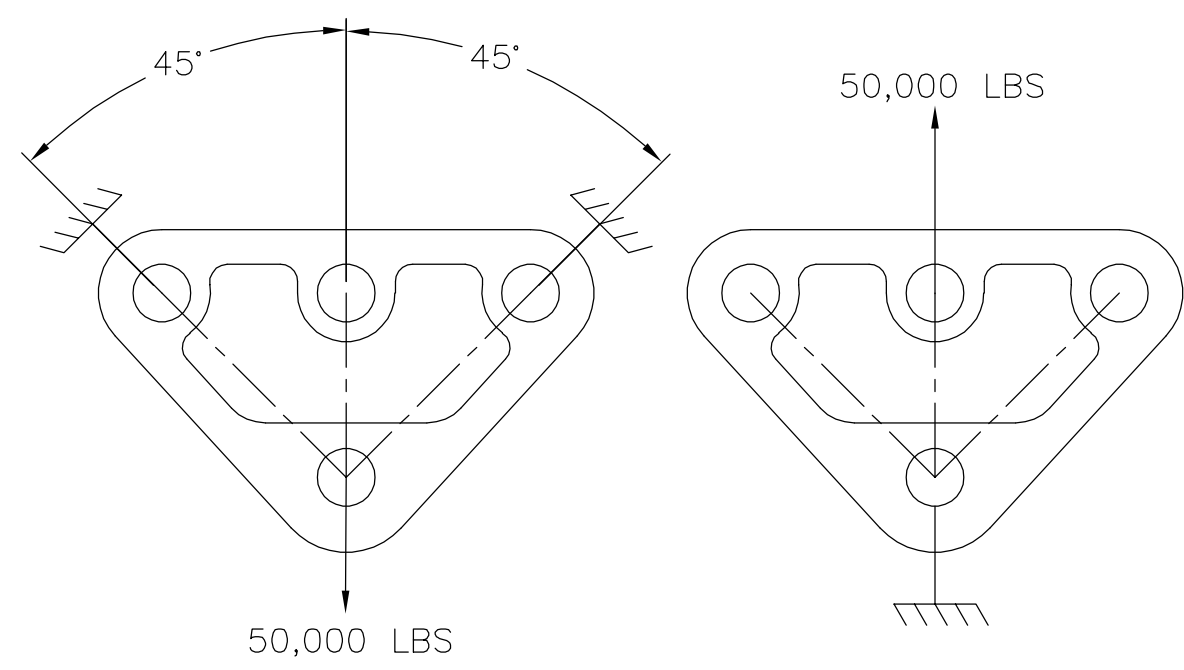
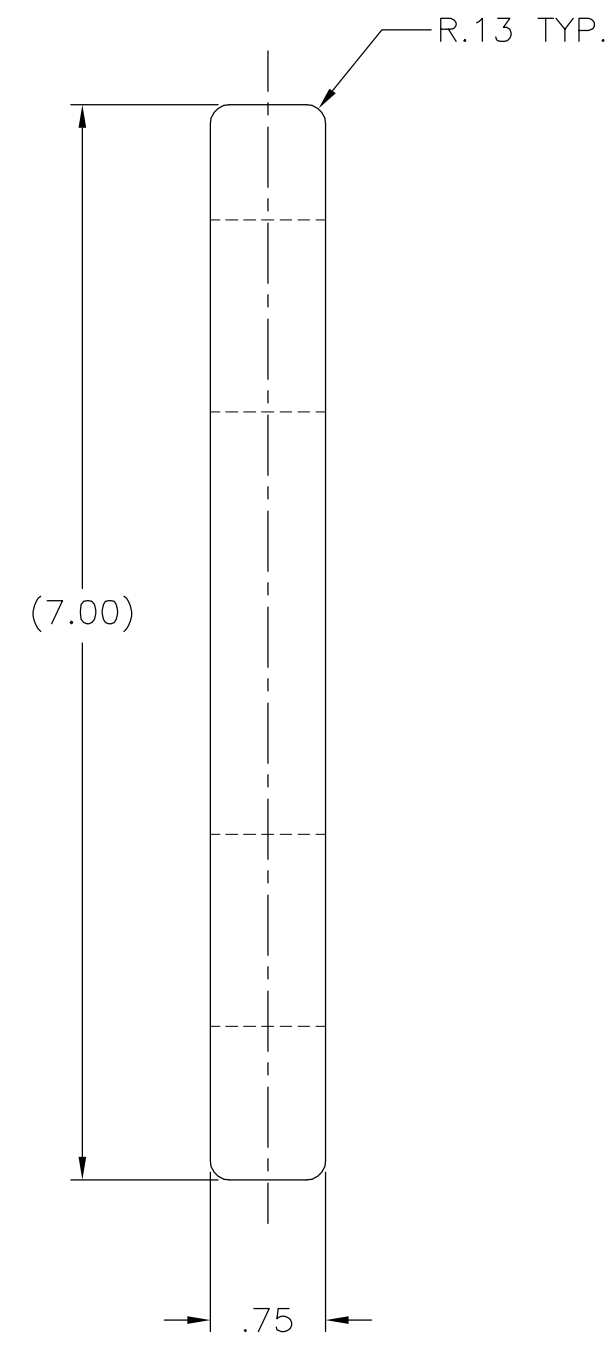
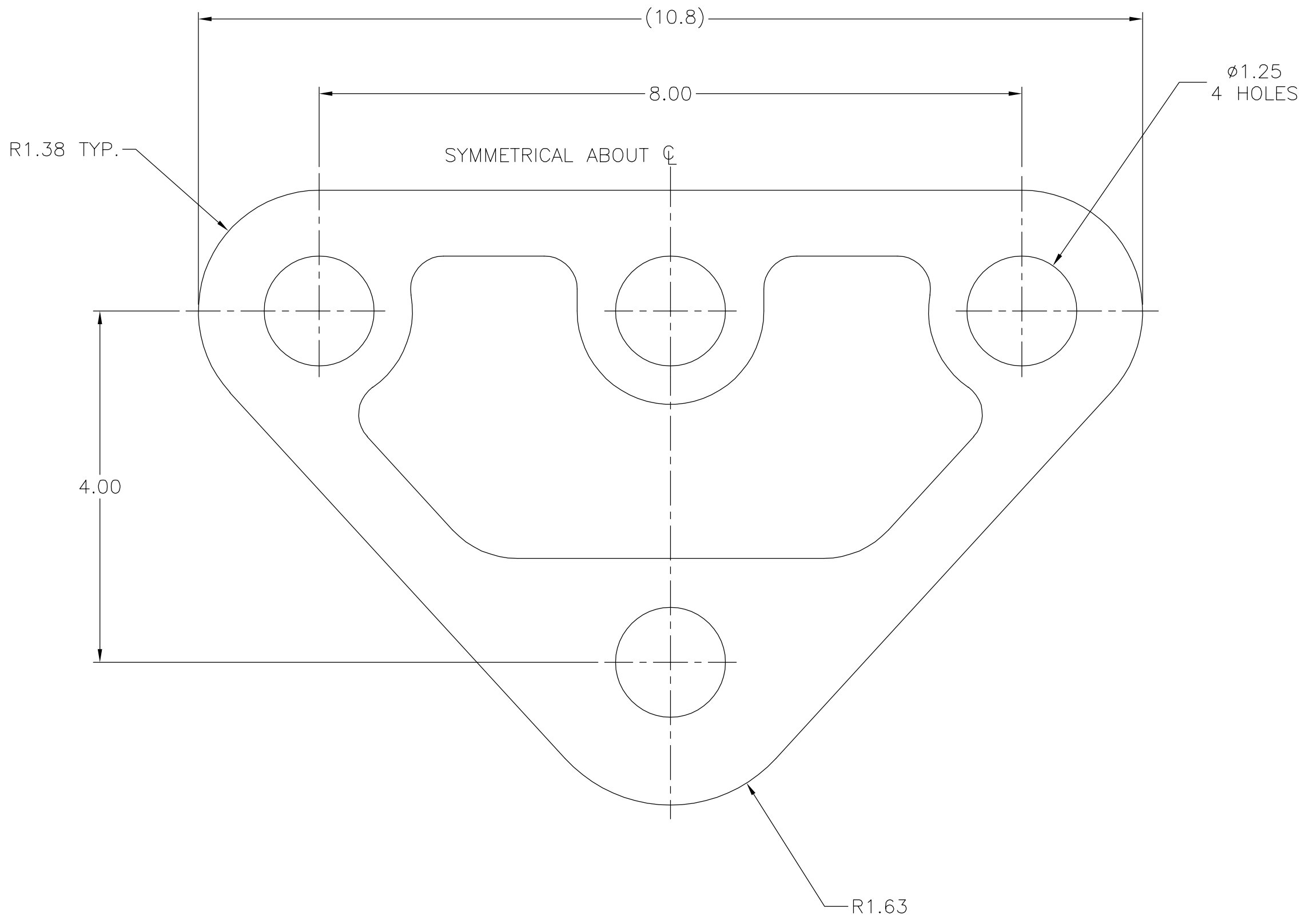


FIG. 1

FIG. 2

ULT. LOAD DIAGRAMS



- NOTES:
1. MATERIAL: GALV. DUCTILE IRON
 2. HOT DIP GALVANIZED PER ASTM A153.
 3. DIMENSIONS IN INCHES.
 4. WEIGHT: 7.35 LBS APPROX.

EC #	DATE	CHG BY	CKD BY	APPD BY
--	--	--	PTB	PTB

DESC OF DWG:
DRAWING CREATED IN AUTOCAD

REASON (S) FOR CHANGE: --

DISPOSITION OF MAT'L: --

THIRD ANGLE PROJECTION

CONFIDENTIAL: THIS DRAWING AND ITS CONTENTS ARE CONFIDENTIAL AND THE EXCLUSIVE PROPERTY OF HUBBELL POWER SYSTEMS. NO PUBLICATION, DISTRIBUTION, OR COPIES MAY BE MADE WITHOUT THE WRITTEN CONSENT OF HUBBELL POWER SYSTEMS. HUBBELL POWER SYSTEMS UNPUBLISHED ALL RIGHTS RESERVED UNDER THE COPYRIGHT LAWS.

HUBBELL POWER SYSTEMS

TITLE: YOKE PLATE
50K LBS ULT. STR.

CATALOG NUMBER: YPD5024685

SIZE: C CUTSHEET	DWG NO.:	PART / ASSY NO.:	REV: A
SCALE: NS	DRN BY: SP	DATE: 10/28/20	SHEET 1 OF 1